



KleanAire Cyclonic Precleaner -Model : KAT2000

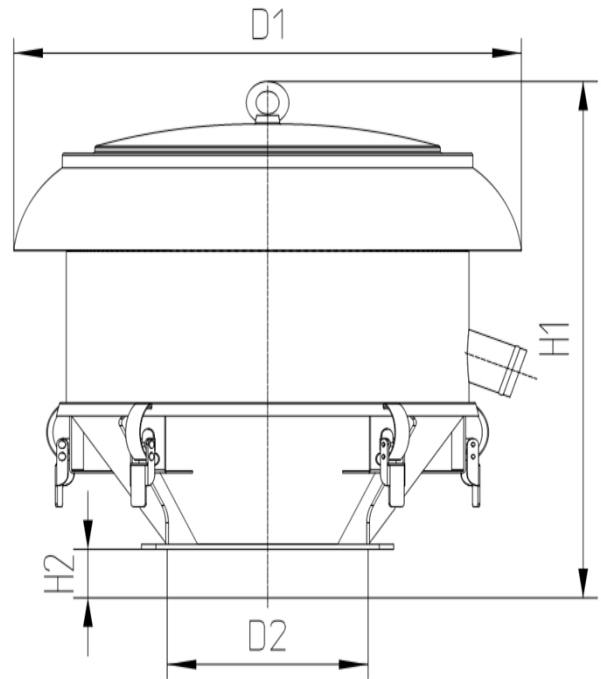


Features :

- *KAT2000 is made from galvanized sheets to withstand harsh environment.
- *Maximum Airflow is 1060 CFM with excellent cleaning efficiency.
- *Combination of precleaning methods to meet requirements of customer.
- * Special design with cyclonic tubes and dust collection pan.
- * This model has a flange mounting thus reducing strain on the aircleaner .



KleanAire Cyclonic Precleaner -Model : KAT2000



Technical Specifications

Model	Part No	Max. Air		Dimension (mm)				Weight
		Flow		D1	D2	H1	H2	
		CFM	CMM					
KAT2000	80200001	1060	30	523	207	532	50	13



KleanAire Cyclonic Precleaner -Model : KAT2000

Performance Charts

